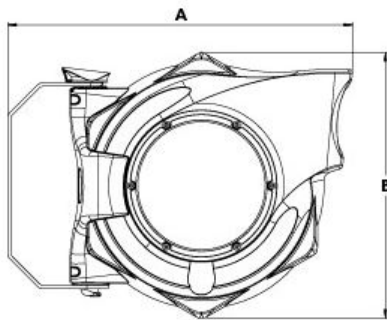


Easy mounting on the wall or ceiling. Closed, rugged, impact-resistant housing made of POM and lightweight, hard-wearing, oil-resistant polyurethane hose. Incl. 2 m feeder hose

Hose material Braided polyurethane
Operating temperature -20 °C to 60 °C
Swivel angle 180 °

Hose reel for compressed air

Art. No	Type No.	Hose size mm	Operating pressure max. bar	Hose length m	A mm	B mm
152313	259/5120-1	9.5x13.5	16	14	490.0	409.0
152310	259/5100-1	8x12	16	17	490.0	409.0
152314	259/5000-1	8x12	16	10	406.0	313.0
152315	259/4900-1	8x12	16	7	406.0	313.0



259/5000-1